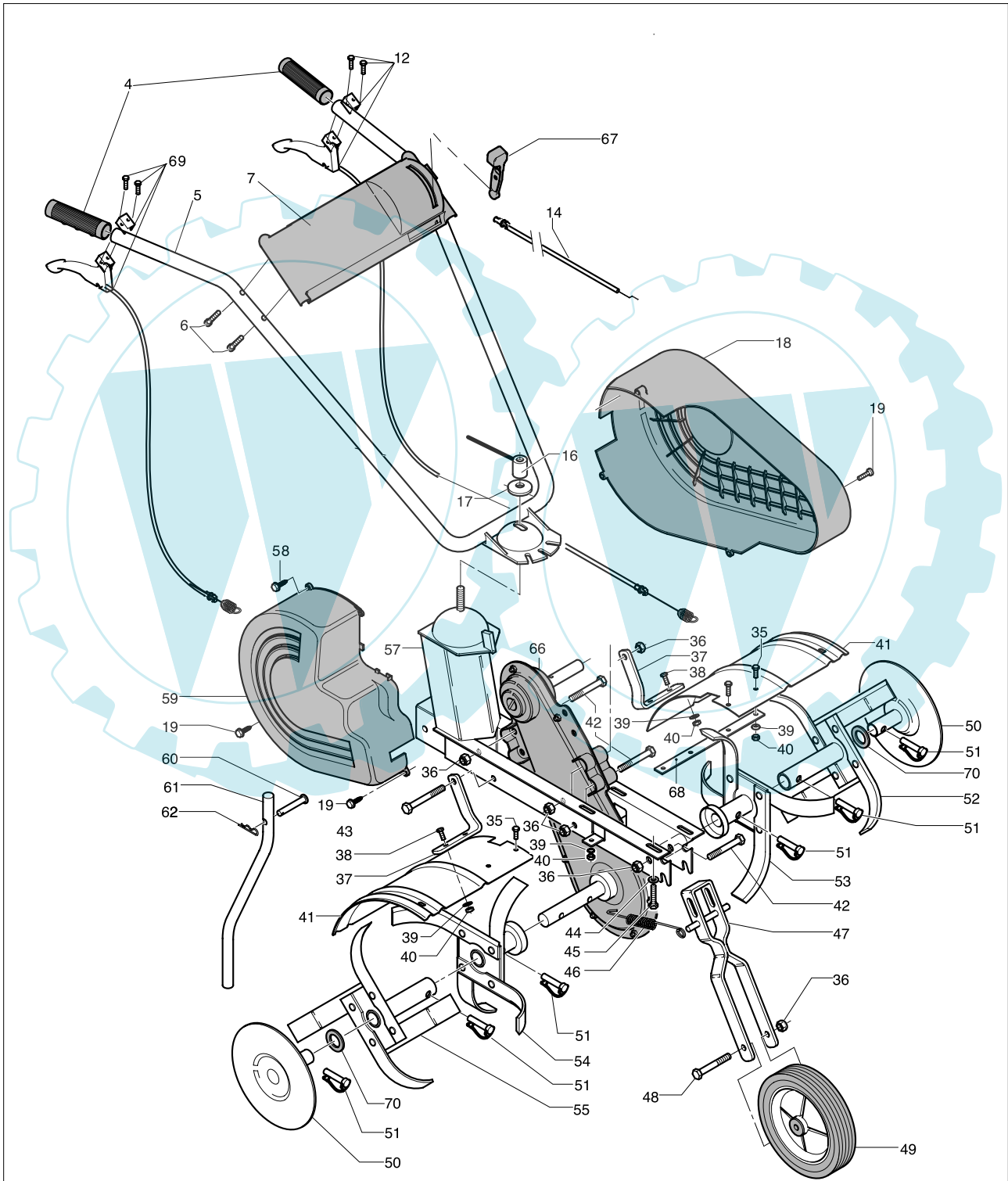


brand	<b>MAC ALLISTER</b>
-------	---------------------

date	NOV/03	SHEET 1/4
------	--------	-----------

Model
<b>MAC 55 MT</b>

Product number
<b>9538783-57</b>



brand	<b>MAC ALLISTER</b>
-------	---------------------

date	NOV/03	SHEET 2/4
------	--------	-----------

<b>MAC 55 MT</b>
------------------

Pos	PN ELX	PN MEP	Q.ty	Note	Pos	PN ELX	PN MEP	Q.ty	Note
					50	531207476	10660003	2	
					51	531208634	20500910	6	
					52	531207464	10658603	1	
					53	531207507	10673403	1	
					54	531207506	10673303	1	
					55	531207463	10658503	1	
					57	531210945	1068390Q	1	
					58	531208216	20135720	1	TCTC 2F D.5x16 AC
					59	531207529	10681903	1	SX
					60	531207406	10651100	1	
					61	531207550	10683700	1	
					62	531208657	20501290	1	D.2
					66	531207516	10679303	1	Z.8/Z.40
					67	531205138	10121260	1	
					68	531207600	10687803	1	
					69	531211676	10690470	1	
					70	531211004	10690423	2	D38X24,5X10
4	531207131	10500033	2						
5	531211674	1069045Q	1						
6	531211767	10690490	4						
7	531205609	10135773	1						
12	531211675	10690460	1						
14	531211768	10690500	1						
15	531208661	20501380	2	M5 H5 UNI5587-6S ZB					
16	531207508	10673700	1						
17	531207509	10674100	1						
18	531207523	10681103	1						
19	531207120	10427400	4	TE FR TC 4,8x13					
35	531208660	20501370	4	TE M6x20 UNI 5739-8,8-ZB					
36	531207161	10501160	5	M10 H12 UNI7473-ZB					
37	531207420	10652303	2						
38	531208769	20655100	2	TE M6x16 UNI 5739-8,8-ZB					
39	531208499	20286606	6	D.6E					
40	531207165	10501200	6	M6 H6 UNI 5587-6S-ZB					
41	531210944	1068200Q	2						
42	531207416	10652000	3	TE M10x75 UNI5737-8,8-ZB					
43	531207511	10677400	1	TE M10x85 UNI5737-8,8-ZB					
44	531204922	10114200	8	8x16x1,5 ZB					
45	531207044	10390800	4	TE M8x40 UNI 5737-8,8-ZB					
46	531207562	10684100	1						
47	531207545	10682903	1						
48	531207576	10685200	1	TE M10X80 UNI5737-8.8ZB					
49	531207583	10685903	1	D.200/40					

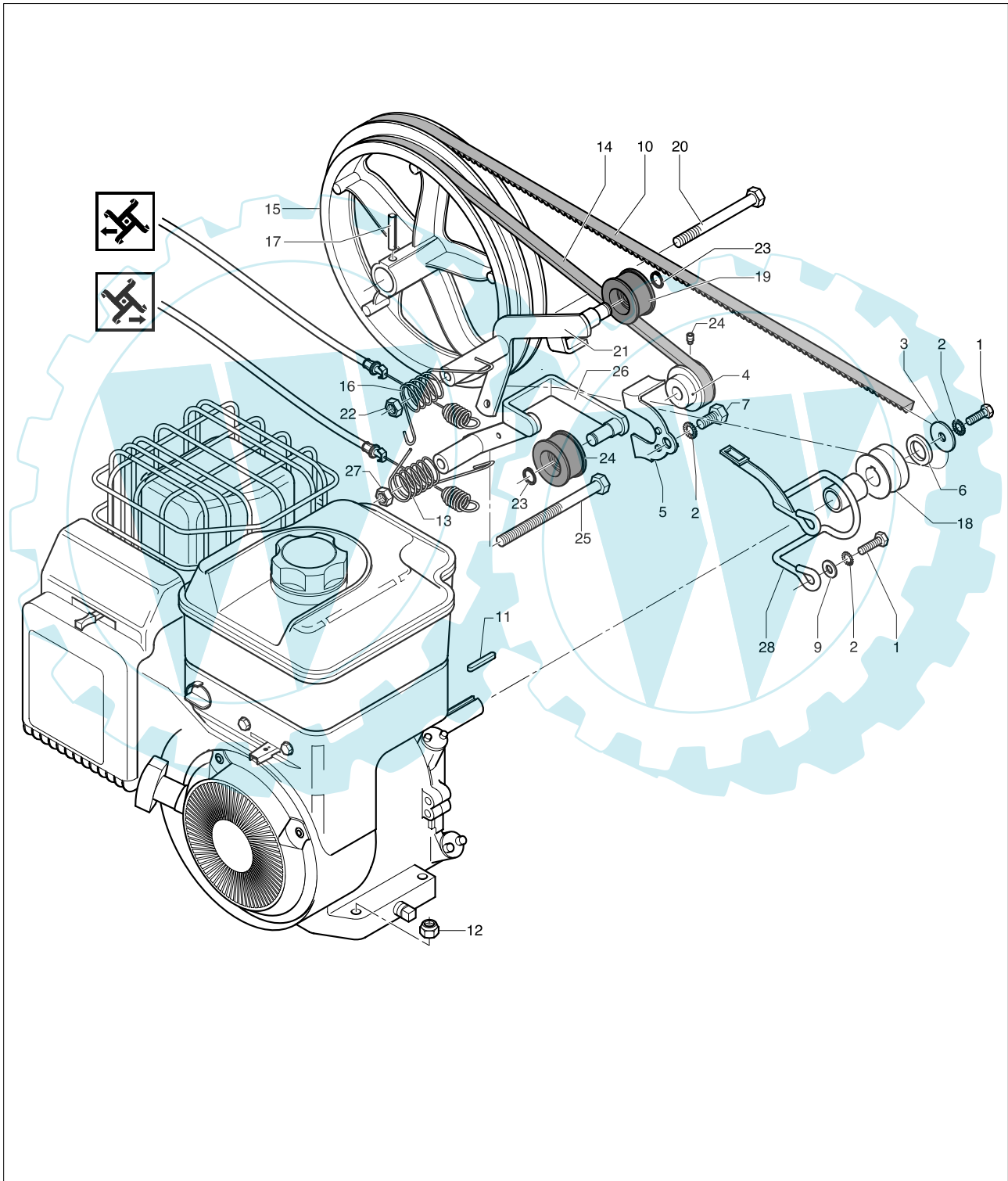


brand	<b>MAC ALLISTER</b>
-------	---------------------

date	NOV/03	SHEET 3/4
------	--------	-----------

Model
<b>MAC 55 MT</b>

Product number
<b>9538783-57</b>



brand	<b>MAC ALLISTER</b>
-------	---------------------

date	NOV/03	SHEET 4/4
------	--------	-----------

<b>MAC 55 MT</b>
------------------

Pos	PN ELX	PN MEP	Q.ty	Note
1	531207596	10687300	3	TE 5/16" UNF X 3/4"
2	531207981	20106200	4	D.8E DIN 6798
3	531205552	10135380	1	8x30x3ZP
4	531207594	10687000	1	D.19,5/30/4
5	531207602	10688000	1	
6	531207503	10671900	1	D.45
7	531207430	10654300	1	TE 5/16"UNF x 5/8"(=16mm)
8	531207597	10687400	1	M5x8 UNI59
9	531204922	10114200	2	8x16x1,5 ZB
10	531207616	10689500	1	Z 39 (10x1000LI)
11	531207432	10654500	1	4,75x4,75x23 UNI 92
12	531208599	20404900	1	M8 H10 UNI7473-ZB
13	531207563	10684200	1	
14	531207431	10654400	1	AX 45 (13x8.5) 1143 K
15	531207488	10670100	1	D.272
16	531207564	10684300	1	
17	531208404	20228214	1	D.6x40
18	531207617	10689600	1	D.19/25/31H MM
19	531204430	O9128633	2	
20	531205005	10118000	1	TE M10x100 UNI5737-8.8ZN
21	531207611	10688500	1	
22	531207978	20101700	1	M10 H8 UNI 5588-6S ZB
23	531208772	20655800	2	D.12E DIN 471
25	531207426	10653700	1	M10x130x88 SPEC
26	531207612	10688600	1	
27	531208658	20501310	2	M10 H10 UNI 5587-6S-ZB
28	531207578	10685400	1	

